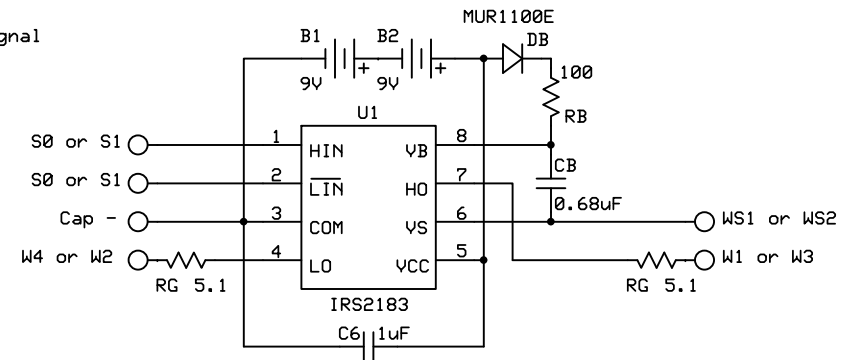


Signals required (optoisolated):

- S0 - Fire direction 1
- S1 - Fire direction 2
- S7 - Capacitor discharge



Insect Camera		
High Voltage Voice Coil Driver		
Emilio Graff	Rev 2.2	1 of 1
	3/8/2008	